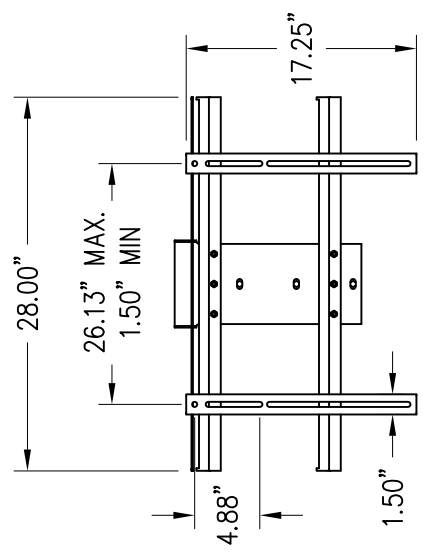
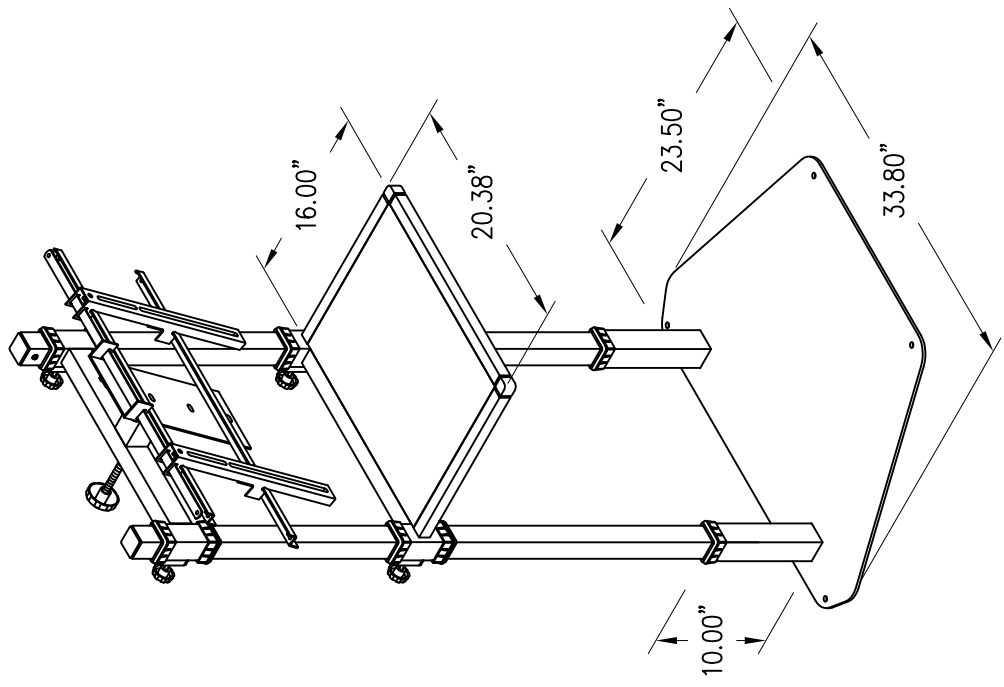
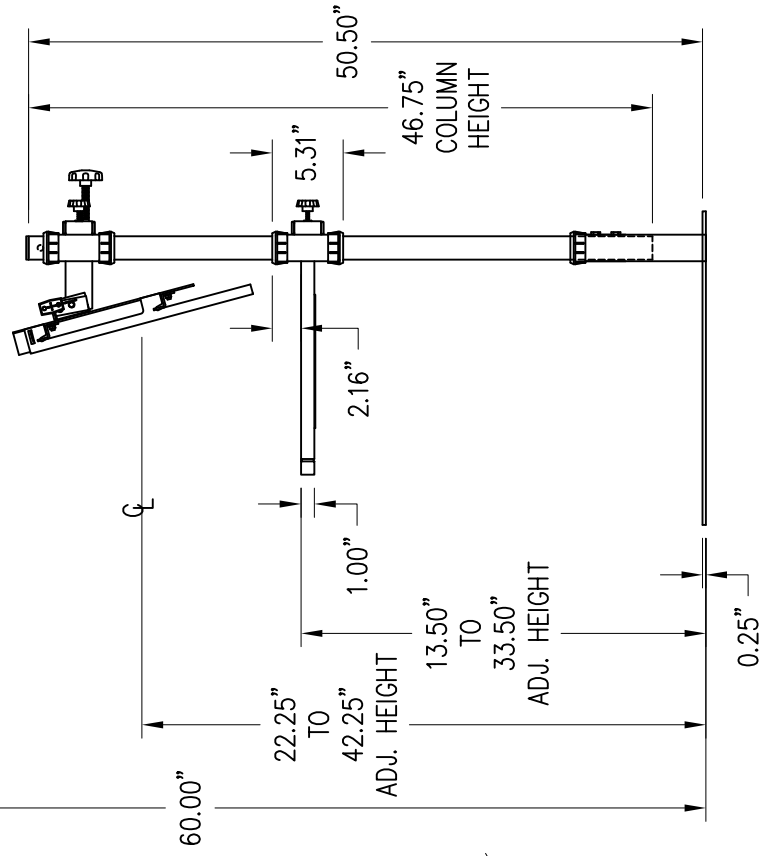


FPS-60



FRONT VIEW



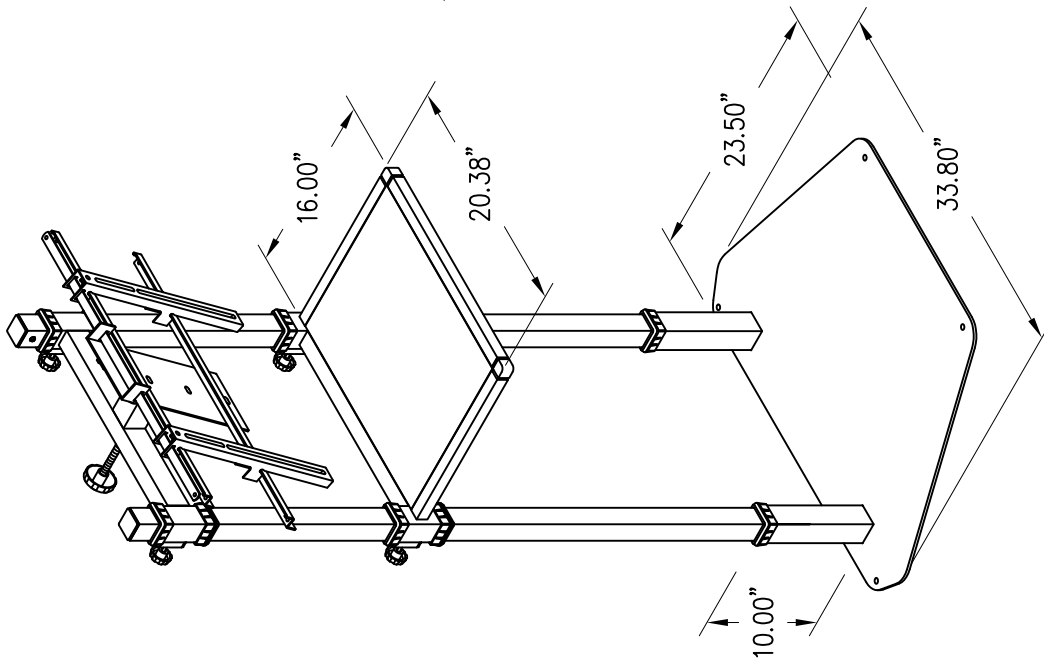
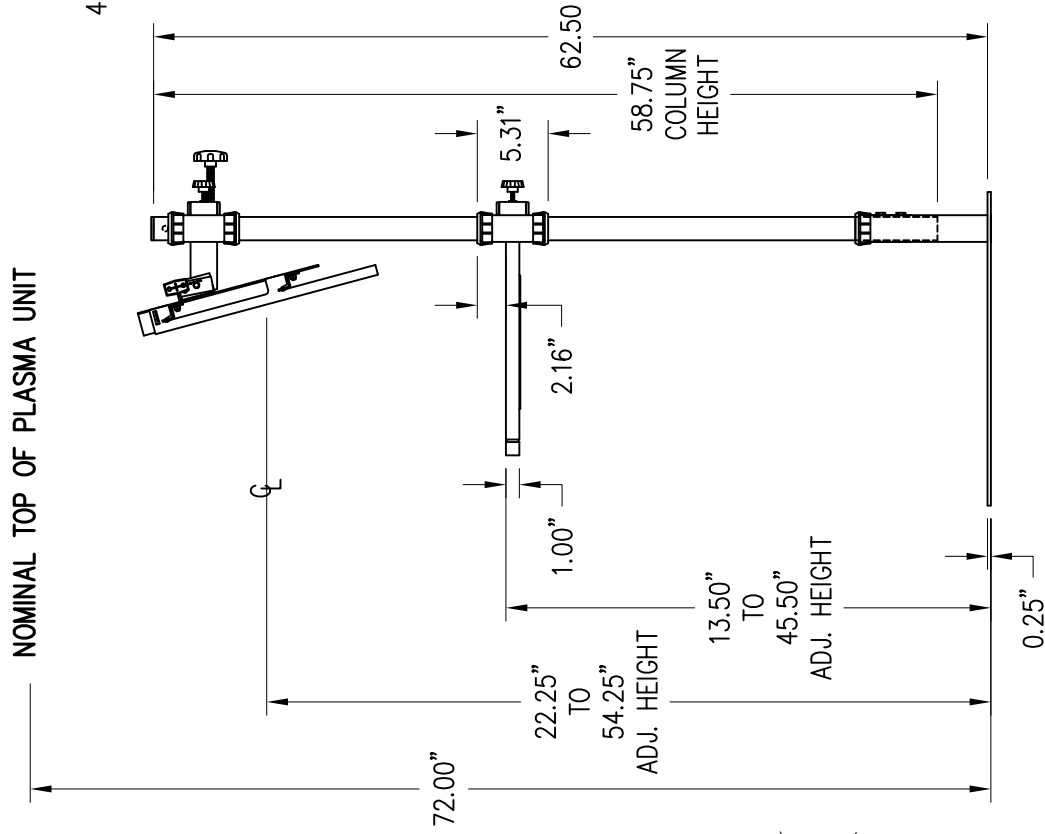
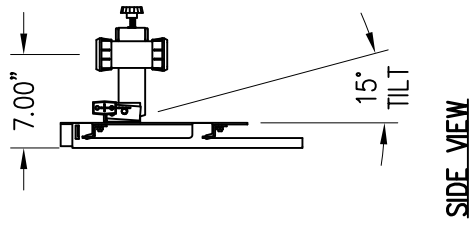
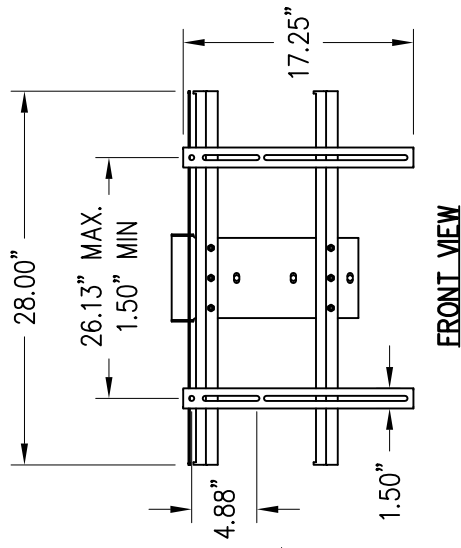
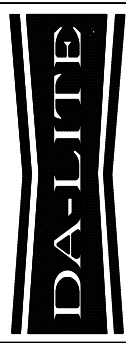
SIDE VIEW

NOMINAL TOP OF PLASMA UNIT

FPS-72

THE **Advantage**  
**PRODUCTS COMPANY**  
 1199 E. Central, Wichita, KS 67214-3922 Ph: (316) 263-4231

THIS DRAWING IS THE PROPERTY OF THE ADVANCE PRODUCTS COMPANY AND IS NOT TO BE REPRODUCED OR USED TO FURNISH INFORMATION FOR MAKING DRAWINGS EXCEPT WHERE PROVIDED BY AGREEMENT WITH SAID COMPANY.



FPS-84

NOMINAL TOP OF PLASMA UNIT

